

POLY  
250, 260, 270



## Amur Leopard

 Manufactured  
in EU

 Anti-PID  
Technology

 Proven by Independent  
Engineering Tests

 +  Guaranteed  
Positive Power

## POLY

250, 260, 270

### Electrical Characteristics

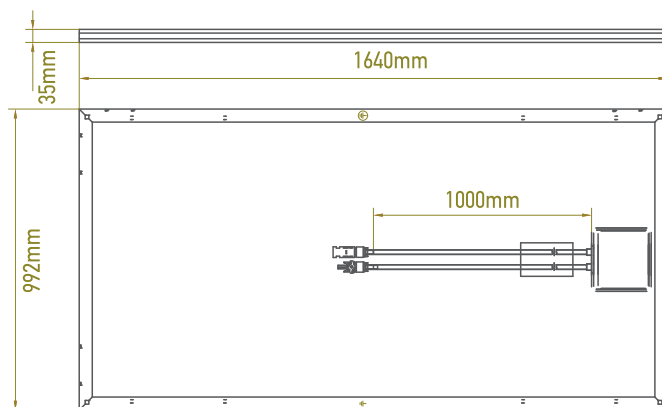
Rated Power:	250W	260W	270W
Power Tolerance :	0%/+5W	0%/+5W	0%/+5W
Maximum Power Voltage (Vmp):	30.20V	30.80V	31.40V
Maximum Power Current (Imp):	8.35A	8.47A	8.63A
Open Circuit Voltage (Voc):	37.10V	38.00V	38.60V
Short Circuit Current (Isc):	8.92A	8.94A	9.13A
Pmax (NOCT):	185.1W	192.4W	195.6W
Module Efficiency	15.4%	16%	16.5%
Maximum Series Fuse:	15A	15A	15A
Maximum System Voltage:	1000V DC(IEC) / 1000V DC(UL)		

Tested at Standard Test Conditions. Measurement tolerances: ± 3%

### Mechanical Data

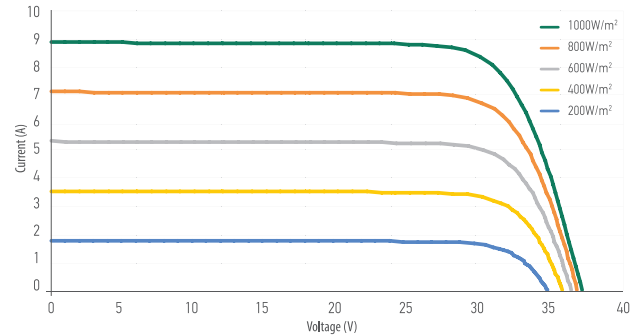
Dimensions	1640mm x 992mm x 35mm
Frame	Anodized aluminum
Weight	19 kgs
Front Glass	3.2 mm AR low iron tempered glass
Output Cables:	TUV (2Pfg1169:2007), UL 4703, UL44 4.0 mm <sup>2</sup> (0.006 in <sup>2</sup> ), symmetrical lengths (-) 1000mm and (+) 1000 mm, MC4 type connectors

### Dimensions



Specifications are subject to change without further notification  
Release 2014-04-02, v1.1

### V-I Curve



The module relative power loss at low light irradiance of 200W/m<sup>2</sup> is less than 3%.

### Temperature Characteristics

Pmax Temperature Coefficient	-0.39% / °C
Voc Temperature Coefficient	-0.32% / °C
Isc Temperature Coefficient	+0.08% / °C
Operating Temperature	-40~+85 °C
Nominal Operating Cell Temperature (NOCT)	45 ± 2 °C

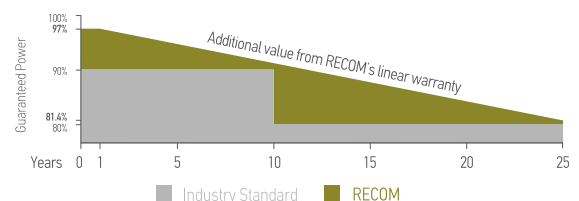
### Packing Configuration

Container	20'GP	40'HC
Pieces per Pallet	29	29
Pallets per Container	12	28
Pieces per Container	348	812

### Tests, Certifications and Warranties

Standard tests	UL1703, IEC 61215, IEC 61730
Quality tests	ISO 9001: 2008, ISO 14001: 2004, ISO17025: 2005
Certifications	Class C Fire Rating, conformity to CE, PV CYCLE, Salt Mist and Ammonia Corrosion
Extreme wind and snow loads testing	Module certified to withstand extreme wind (2400 Pascal) and snow loads (5400 Pascal)
Positive tolerance	Guaranteed positive tolerance of up to 5W
Junction Box	IP67 Rated, 3 diodes
Warranties	<ul style="list-style-type: none"> <li>• 10-year limited product warranty</li> <li>• 25-year transferable linear power output warranty</li> </ul>

### LINEAR PERFORMANCE WARRANTY



Dealer: